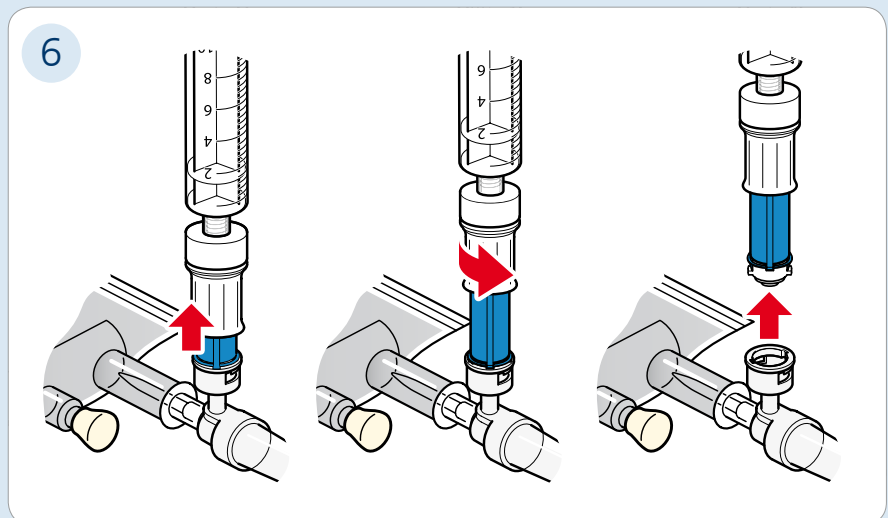
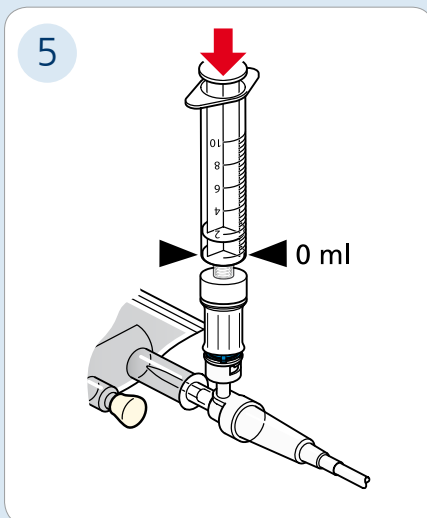
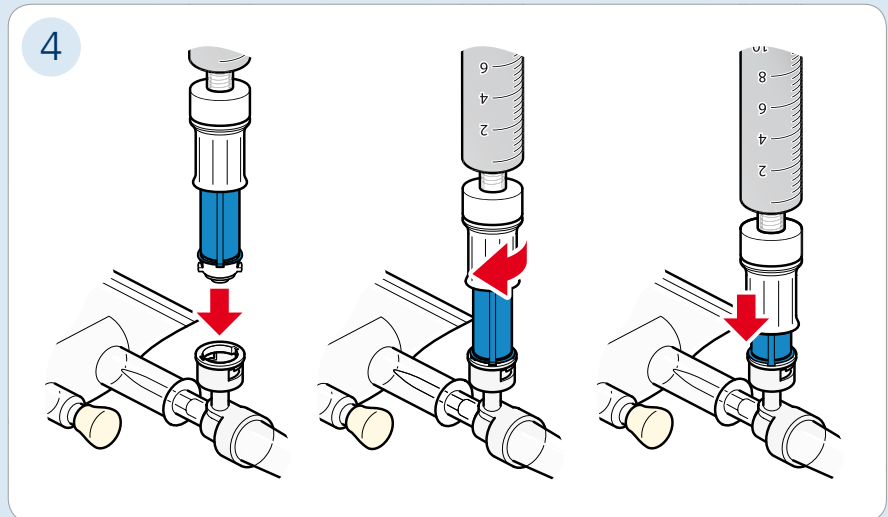
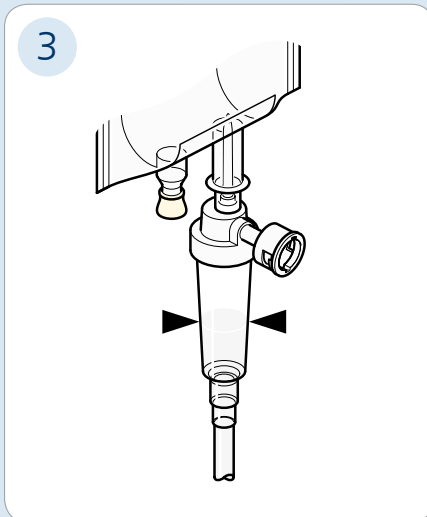
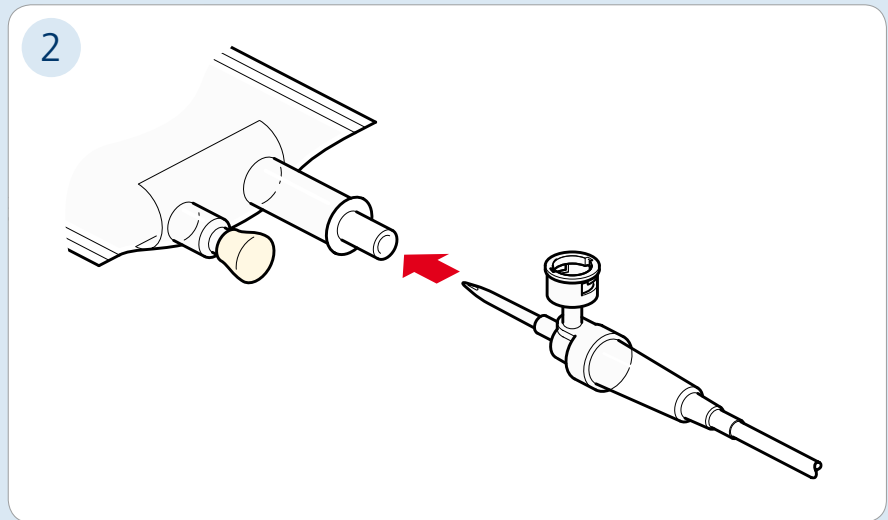
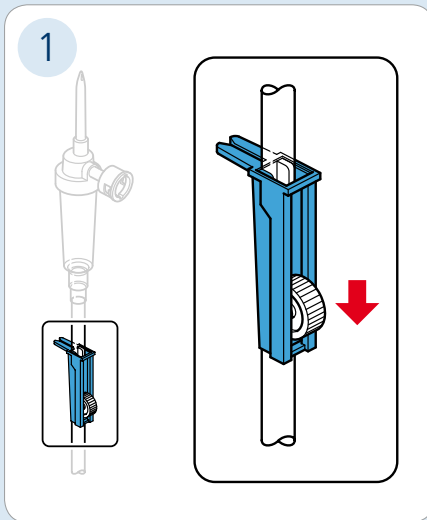
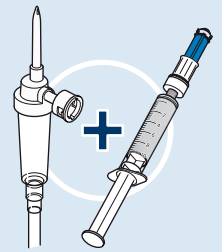


# Administration – IV bag access

Infusion Set C50



Carmel Pharma AB Aminogatan 30 SE-431 53 Mölndal Sweden  
Tel: +46 31 703 04 00 Fax: +46 31 703 04 04 E-mail: info@carmelpharma.com Web: www.carmelpharma.com